

深圳市正方电子有限公司

承認書

客户

CUSTOMER:

Electronica

客户料号

CUSTOMER P/N:

4009A452110

品名/规格

DESCRIPTION/SPEC:

EFD16.5 SD3200

文件号

FILE NO:

2009010101

日期

DATE:

2009-01-01

客户承认签章

APPROVAL SIGNATURE

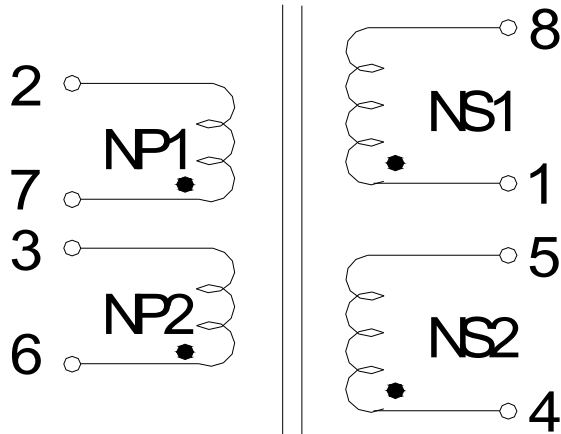
| 核准 | 核查 | 制作 |
|-------------|------------|----------|
| APPROVED BY | CHECKED BY | DRAWN BY |
| | 易彪 | 刘小玩 |

TRANSFORMER

CUSTOMER : _____

| | | | |
|-----------------------------|------------------------------------|--------------------------|-----------------------------|
| CUSTOMER P/N 4009A452110 | DESCRIPTION/SPE CEFD16.5(SD3200 | ISSUE DATE 2009-01-01 | TEMP(°C) 20 HUM (%) 60RH |
|-----------------------------|------------------------------------|--------------------------|-----------------------------|

B. SCHEMATIC:



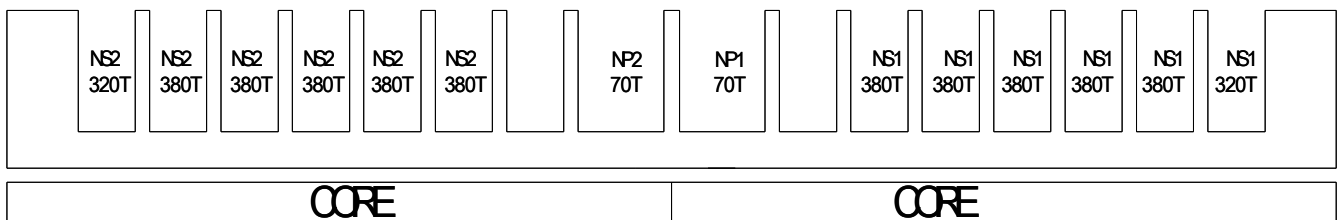
“.” : DEPARTU POINT

C. ELECTRICAL CHARACTERISTICS

TEST FREQ: 1KHz 0.25V

INDUCTANCE. WINDING. NUMBER OF TURNS AND WIRE MATERIALS.

| WINDING | TURNS(T) | WIRE | | INDUCTANC E | DCR ohms | REMARK |
|----------|----------|-------|-----------|----------------|-------------------|--------|
| | | TYPE | INDUCTANC | | | |
| NP1(7-2) | 70 | 2UEW- | ϕ0.17 | 350uH±20% | | |
| NP2(6-3) | 70 | 2UEW- | ϕ0.17 | 350uH±20% | | |
| NS1(1-8) | 2220 | 2UEW- | ϕ0.04 | 570mH±10% | | |
| NS2(4-5) | 2220 | 3UEW- | ϕ0.04 | 570mH±10% | LEAKGE INDUCTANCE | |



TRANSFORMER

CUSTOMER: _____

| | | | |
|-----------------------------|----------------------|--------------------------|-------------------------------|
| CUSTOMER P/N 4009A452110 | DESCRIPTION/SPE C | ISSUE DATE 2009-01-01 | TEMP (°C) 20 HUM (%) 60 RH |
|-----------------------------|----------------------|--------------------------|-------------------------------|

D.HI-POT TEST

| TEST ITEM | YOUR SPEC | TEST FREQ | REMARK |
|------------|---------------|---------------|--------|
| NP TO NS | 500V AC 1SEC | 50Hz/60Hz,1mA | |
| NP TO CORE | 1000V AC 1SEC | 50Hz/60Hz,1mA | |
| NS TO CORE | 1500V AC 1SEC | 50Hz/60Hz,1mA | |

E.NOTE

- 1.骨架与磁芯接触点透明硅胶共4条;
- 2.线圈刷漆;
- 3.成品顶部印字 "4009A452110".

lead-free

TRANSFORMER

CUSTOMER:

| | | | |
|-----------------------------|--------------------------------------|--------------------------|----------------------------|
| CUSTOMER P/N 4009A452110 | DESCRIPTION/SPE C EFD16.5(SD3200) | ISSUE DATE 2009-01-01 | TEMP(°C)20 HUM (%) 60RH |
|-----------------------------|--------------------------------------|--------------------------|----------------------------|

F.MATERIAL LIST

| Item | Name, function description | | | Manufacturer | Certification | | | |
|------|----------------------------|---------|---------------|---|---------------|-----|-----------|--|
| | Func. | Generic | Trade | | 94V | °C | UL NO. | |
| | Wire | | UEW-155P | DaLian Fuji Fine CO.,LTD. | -- | 155 | E81427 | |
| | | | UEW-130B | DaLian Fuji Fine CO.,LTD | -- | 130 | E81427 | |
| | | | | | | | | |
| | | | | | | | | |
| | Tape | Kapton | #92 | Shen Zhen ZhongHaiXin Electronicsco.,LTD. | -- | 180 | E229667 | |
| | | | | | | | | |
| | | | | | | | | |
| | | | | | | | | |
| | Core | EFD16.5 | 6H20 | Nan Jing JinNing San Huan FDK CO.,LTD. | -- | -- | --- | |
| | | EFD16.5 | K2.3P | He Shun Magnetic Current Electronics Co.,LTD | -- | -- | --- | |
| | Bobbin | EFD16.5 | LCPE-4008 | Sumitomo Chemical Co.,LTD. | V-0 | 130 | E54705(M) | |
| | | | LCPE-4008 | TaWin Charmwin Electronics Co.,LTD | V-0 | 130 | E54705(M) | |
| | Resin | Epoxy | 3300HL | DongGuan CiTy Eatto Electronic Material Co.,LTD | -- | -- | E218090 | |
| | | | HT902B | Guang Zhou HuTiaiefine chemical CO.,LTD. | -- | -- | | |
| | | | | | | | | |
| | impregna nt | FLUX | 530LF | Marco Technology corporation | -- | -- | | |
| | | FLUX | SK-836 | Shen Zhen Yan Hoi industry CO.,LTD. | -- | -- | | |
| | stannum | stannum | Sn99.90Cu 0.7 | 云南锡业股份有限公司 | | | | |
| | | | | | | | | |